



# RIP412

## 26" Flat Rough-In Plate for 4 1/4" models



Project: \_\_\_\_\_

Location: \_\_\_\_\_

Qty: \_\_\_\_\_

Notes: \_\_\_\_\_

### DESCRIPTION

Rough-in plate for new construction pre-mounting of 4" recessed fixtures

### FEATURES

Made from galvanized steel, 26" long to fit joists up to 24" apart.

Hole diameter 4 1/4"

Plate has alignment notches

### MOUNTING

Fix the plate with screws (not supplied) through the mounting slots

### COMPATIBLE FIXTURES

[LL4R](#)

[LL4R24V](#)

[LL4RR](#)

[LL4SR](#)

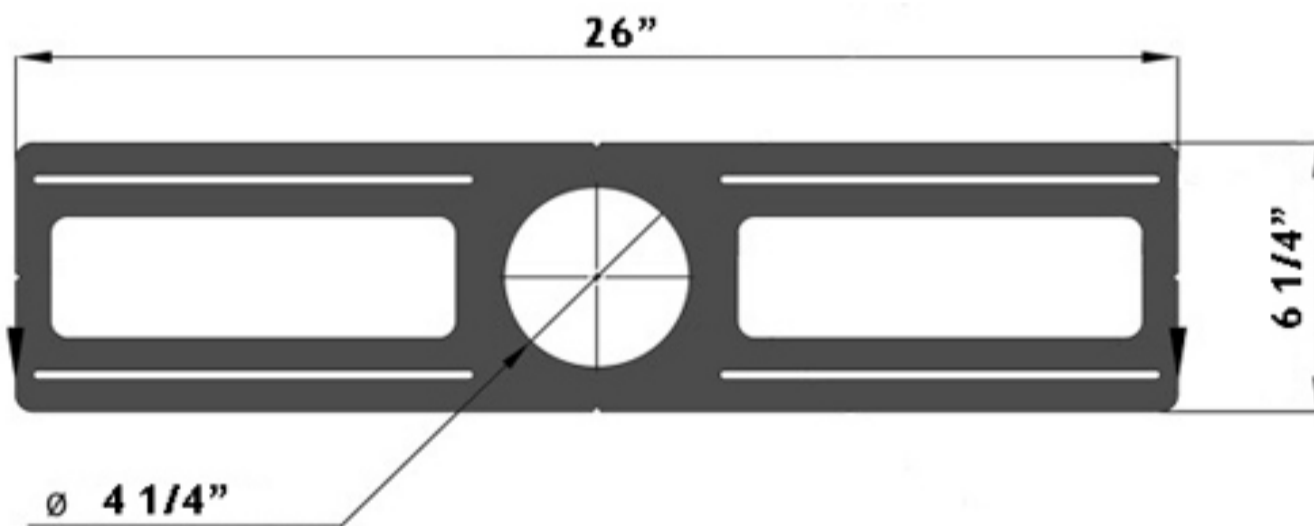
[LED-S9W](#)

[LED-S9W-5CCTWH-R-BF](#)

[LED-S9W-5CCTWH-SQ](#)

[FR-LED-4-S9W-5CCT-FG](#)

[FR-LED-4-S12W-5CCT-PL](#)



### ORDERING GUIDE

model # **RIP412**

#### Lotus LED Lights USA

250 H Street # 301, Blaine WA 98230 tel 360-200-5500  
Hainesport NJ, Naples FL, Vancouver WA

[www.LotusLEDLights.com](http://www.LotusLEDLights.com)

mailing addresses  
warehouses

#### Lotus LED Lights CANADA

702 Chester Rd, Delta BC V3M 6J1 tel 604-538-3090  
Delta BC & Mississauga ON