

LD3S-5SSL

5" Square 30° Sloped Regressed LED 15W

Project: _____

Location: _____

Model: _____ Beam: _____ Qty: _____

Notes: _____

DESCRIPTION

5" Square **30° Sloped** Regressed LED
With Integral Driver In Connection Box

FEATURES & BENEFITS

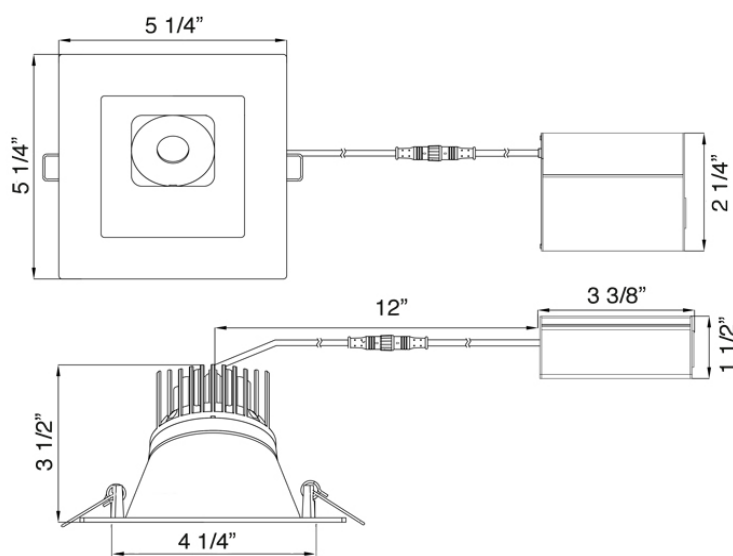
- 3/4" Regressed & with 38° Directional Beam for Reduced Glare
- 3 1/2" Deep - Install Where Ceiling Space Is Limited
- Type IC, Air-Tight & Wet Location rated
- 5CCT** user selectable 2700-3000-3500-4000-5000K or **Dim to Warm** 3000K to 1800K options
- CRI 90+ for True Color Rendering
- Options of 4 beam angles: standard **38°** and custom **15°, 24° & 60°**
- Driver Inside Connection Box - No Junction Box Needed

MOUNTING

- Cut Hole In Ceiling And Snap Fixture In Opening
- With Attached Spring Clips
- Ceiling Clearance Required for driver to fit: 3 1/2"

DIMENSIONS: ID 4 1/2", OD 5 1/4" Square, Depth 3 1/2"

Cut Out 5" Round Hole



ORDERING GUIDE

- LD3S-5CCT-5SSL-WH** [5CCT White Trim](#)
- LD3S-3018K-4RSL-WH** [Dim to Warm White Trim](#)
- LD3S-5CCT-5SSL-BK** [5CCT Black Trim](#)
- LD3S-3018K-5SSL-BK** [Dim to Warm Black Trim](#)



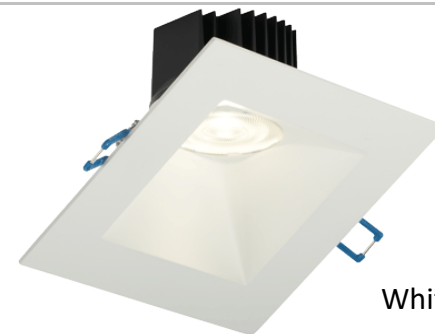
Standard Beam Angle: **38°**

Custom Beam Angles - order as adder:

- 15D Lens LD3R LD3S LL3R** 15°
- 24D Lens LD3R LD3S LL3R** 24°
- 60D Lens LD3R LD3S LL3R** 60°

SPECIFICATION	
Applications	Sloped Ceilings , Wall Washing
Power	15 W
Color Temperature (K)	2700 3000 3500 4000 5000 DTW 3000-1800K
Light Output (lm)	1220 1270 1350 1380 1400 1300
Halogen Equivalent	120 W
Trim Slope Angle	30°
Beam Angle	standard 38° custom 15°, 24°, 60°
CRI	90 +
Default Driver Input	120V AC Triac Dimmable
Optional Driver Input	120V-347V AC 0-10V Dimmable
Junction Box Wire Capacity	Max 5 No 12 AWG or 8 No 14 AWG
Power Factor	0.95
Approved Location	Insulated Ceiling & Wet Locations
IP Rating	IP 54
Air Tight	Yes
Ambient Temperature	-40°F (-40°C) to +104°F (+40°C)
Projected Life	70% Light Output at 50,000 Hours
Certification	cULus
Warranty	10 Year Residential / 5 Year Commercial

AVAILABLE TRIMS



White



Black

120V TRIAC Dimmable
Driver Included

Optional 120V-347V
Driver 0-10V Dimmable



Order Separately as
[model # LLL-LD1535T3](#)

ACCESSORIES

Sold Separately



Low Voltage Extension Cables. Max 40 ft Allowed
[6ft - model # EXC6](#)
[20ft - model # EXC20](#)



[Flat Rough-In Plates - model # RIP5](#)



[Flanged Plate with Hanger Bars model # FRP412](#)

COMPLIANCE



Type IC & Air-Tight
Wet Location

Lotus LED Lights USA
250 H Street # 301, Blaine WA 98230 tel 360-200-5500
Hainesport NJ, Naples FL, Vancouver WA

www.LotusLEDLights.com
mailing addresses
warehouses

Lotus LED Lights CANADA
1080 Cliveden Ave # 6, Delta BC V3M 6J6 tel 604-538-3090
Delta BC & Mississauga ON